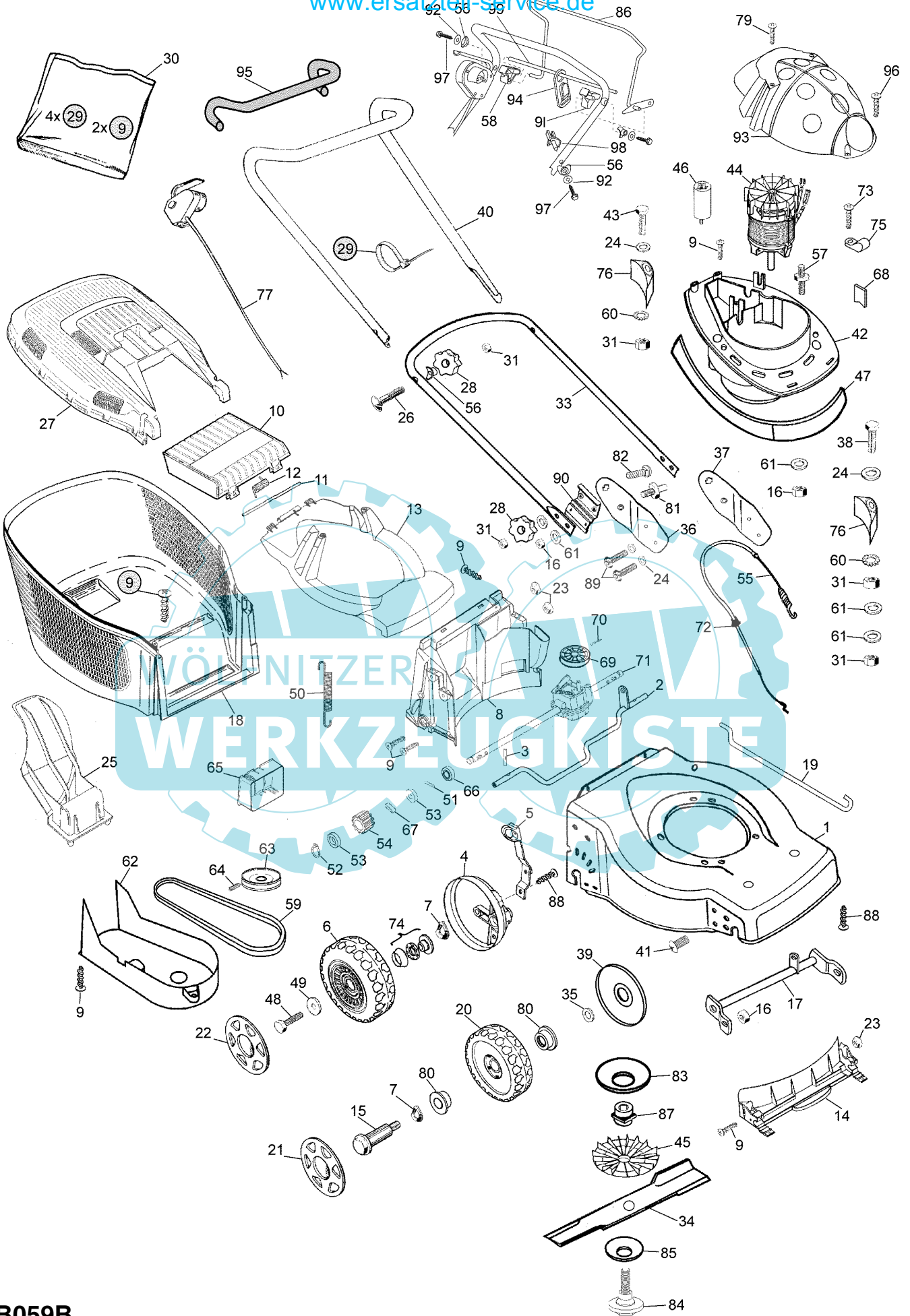


B059B



Ausgabe Issue		Bild Nr Picture No		VARIOLUX 45 ECA	VARIOLUX 45 ECA	Seite Page			
2004- 1		B059B				44			
Pos. Fig.	Anzahl/Quantity				Artikel Nr. Part No	Bezeichnung	Description	Satz Kit	Anmerkung Notes
1	1			1117-3356-02	Chassie- grau .....	Deck- grey .....			
2	1			1117-1173-01	Hinterachse .....	Shaft- backside .....			
3	2			9595-0212-00	Spannstift .....	Locating pin .....			
4	2			1117-3256-01	Raddeckel .....	Wheel protection cap .....			
5	1			1117-1174-01	Höheneinstellhebe .....	Height adjust lever .....			
6	2			1111-2663-01	Rad .....	Wheel .....			
7	4			9694-0003-00	Scheibe .....	Washer .....			
8	1			1117-3008-01	Leitschiene- hintere .....	Baffle- rear .....			
9	18			9836-9516-12	Schraube .....	Screw .....			
10	1			1117-1156-09	Klappe- rot .....	Rear flap- red .....			
11	1			1117-1143-01	Achse .....	Shaft .....			
12	1			1117-1126-01	Feder .....	Spring- rear flap .....			
13	1			1117-3377-02	Chassiedeckel- rot .....	Deck cover- red .....			
14	1			1117-3007-01	Leitschiene- vordere .....	Baffle- front .....			
15	2			1111-3164-01	Radbolzen .....	Wheel axle bolt .....			
16	8			9716-0831-02	Mutter .....	Nut .....			
17	1			1117-1334-01	Vorderachse .....	Front shaft .....			
18	1			1117-1218-01	Behälter- Unterteil .....	Lower grass bag .....			
19	1			1117-1130-01	Höheneinstellstange .....	Connection rod .....			
20	2			1111-3163-01	Rad .....	Wheel .....			
21	2			1111-3084-07	Nabenkapsel- grau .....	Hub cap- grey .....			
22	2			1111-3085-07	Nabenkapsel- grau .....	Hub cap- grey .....			
23	6			1117-1131-01	Mutter .....	Nut .....			
24	7			9699-0028-02	Scheibe .....	Flat washer .....			
25	1			1117-3001-01	Mulcherpropfen .....	Mulch plug .....			
26	2			1136-0620-01	Schraube .....	Screw .....			
27	1			1117-1157-11	Behälterdeckel- rot .....	Grassbag cover- red .....			
28	4			1117-3194-01	Verriegelungsrad .....	Locking knob .....			
X	29			1136-1403-01	Kabelhalter .....	Cable holder .....			
X	30			1136-1416-01	Montagesatz .....	Assy kit .....			
	31			9799-0831-02	Mutter .....	Nut .....			
	32			9799-0631-02	Mutter .....	Nut .....			
X	33			1136-1435-01	Holm- Unterteil .....	Handlebar- lower part .....			
	34			1111-9724-01	Messer .....	Blade .....			
	35			9699-0078-02	Scheibe .....	Washer .....			
	36			1117-1310-01	Halter- rechts .....	Handle support- R.H. ....			
	37			1117-1309-01	Halter- links .....	Handle support- L.H. ....			
	38			9997-0880-16	Schraube .....	Screw .....			
	39			1117-1161-01	Radschutz .....	Wheel protection .....			
X	40			1136-1436-01	Holm- Oberteil .....	Handlebar- upper part .....			
	41			9939-0816-16	Schraube .....	Screw .....			
	42			1117-1372-02	Motorgehäuse- schwarz .....	Motor mount- black .....			
	43			1136-1213-01	Schraube .....	Screw .....			
	44			1117-1369-01	El.Motor .....	El.motor .....		1800 W	
	45			1117-1299-01	Ventilator .....	Impeller .....			
	46			9400-0224-00	Kondensator .....	Capacitor .....			
	47			1117-1373-02	Motorschutz- schwarz .....	Motor cover- black .....			
X	48			1136-1397-01	Schraube .....	Screw .....			
	49			9699-0085-02	Scheibe .....	Flat washer .....			
	50			1117-1120-01	Feder .....	Spring .....			
	51			9591-0011-00	Stift .....	Pin .....			
	52			1117-1083-01	Schließring .....	Safety ring .....			
	53			1111-2830-01	Stützscheibe .....	Support washer .....			
	54			1111-3075-01	Zahnrad- plastikrad .....	Pinion- plastic wheel .....			
X	55			1136-1428-01	Kupplungsdraht .....	Clutch cable .....			
	56			1136-0693-01	Scheibe .....	Washer .....			
	57			1117-1112-01	Bolzen .....	Bolt .....			
X	58			1136-1424-01	Halter- rechts .....	Holder- R.H. ....			
	59			1111-9725-01	Keilriemen .....	V- belt .....			
	60			9678-0009-02	Schloßscheibe .....	Lock washer .....			
	61			9699-0062-02	Scheibe .....	Flat washer .....			
	62			1117-1147-01	Riemenschutz .....	Transmission cap .....			
	63			1117-3266-01	Riemenscheibe .....	Pulley .....			



B059B



Ausgabe Issue		Bild Nr Picture No		VARIOLUX 45 ECA		VARIOLUX 45 ECA		Seite Page	
2004- 1		B059B						46	
Pos. Fig.	Anzahl/Quantity				Artikel Nr. Part No	Bezeichnung	Description	Satz Kit	Anmerkung Notes
X	64	1			1136-1417-01	Schraube .....	Screw .....		
	65	1			1111-2927-01	Batteriehalter .....	Battery holder .....		
	66	2			9549-0053-00	Kugellager .....	Ball bearing .....		
	67	2			1111-3256-01	Treibkeil .....	Drive key .....		
	68	1			1117-1359-01	Klemme .....	Clamp .....		
	69	1			1117-3018-01	• Riemenscheibe .....	• Pulley .....		
	70	1			1111-2382-01	• Stift .....	• Pin .....		
X	71	1			1136-1408-01	Schaltkasten Kpl .....	Transmission assy .....		Inkl. 69, 70
X	72	1			1136-1399-01	Kabelschutz .....	Cable protector .....		
	73	1			9849-7819-16	Schraube .....	Screw .....		
	74	4			1111-3296-01	Kugellager .....	Ball bearing .....		
	75	1			1117-1245-01	Kabelklemme .....	Cable clamp .....		
	76	3			1117-1361-01	Motorstütz .....	Motor support .....		
X	77	1			1136-1420-01	Schalter .....	Switch .....		die Schweiz
X	77	1			1136-1421-01	Schalter .....	Switch .....		
	78	2			9836-9225-12	Schraube .....	Screw .....		
	79	2			9836-9525-12	Schraube .....	Screw .....		
	80	4			9549-0053-00	Kugellager .....	Ball bearing .....		
	81	2			1117-1267-01	Bolzen .....	Bolt .....		
	82	2			9898-0835-12	Schraube .....	Screw .....		
	83	1			1117-1358-01	Schutz .....	Motor shaft protectio .....		
	84	1			1111-9715-01	Messerbolzen .....	Blade bolt .....		
	85	1			1117-1111-01	Messerscheibe .....	Disc washer .....		
X	86	1			1136-1429-01	Regulierbügel .....	Control lever .....		
	87	1			1117-1151-01	Messerhalter .....	Blade mount .....		
	88	4			9836-9512-12	Schraube .....	Screw .....		
	89	4			1117-1364-01	Schraube .....	Screw .....		
	90	2			1117-1192-01	Isolierplatte .....	Isolation .....		
X	91	1			1136-1425-01	Halter- links .....	Holder- L.H. ....		
	92	3			9699-0060-02	Scheibe .....	Flat washer .....		
	93	1			1117-3378-02	Motordeckel- rot .....	Motor cover- red .....		
	94	1			9579-0009-00	Kabelhalter .....	Cable restrainer .....		
	95	1			1117-3036-01	Griff .....	Foam grip .....		
	96	2			9849-7819-16	Schraube .....	Screw .....		
X	97	3			1136-1419-01	Schraube .....	Screw .....		
X	98	1			1136-1426-01	Halter .....	Holder .....		
X	99	1			1136-1422-01	Kabelhalter .....	Cable holder .....		